

Ohmite offers the totally encapsulated and insulated TO-247 package for low ohmic value and non-inductive design for high-frequency and pulsing applications. Ideal use is for power supplies. This series is rated at 100 Watts mounted to a heat sink.

FEATURES

- 100 Watt power rating at 25°C case temperature
- Non-inductive performance
- Low thermal resistance
- RoHS compliant design
- TO-247 package configuration
- Single screw mounting simplifies attach-ment to the heat sink
- A totally molded housing for environmental protection
- Non-Inductive design
- Resistor package totally insulated from heat sink

SPECIFICATIONS

Material

Resistor: thick film on alumina
Case: high temperature plastic
Lead Material: Tinned Copper
Installation, max. Torque: 0.9 Nm using an M3 screw and a compression washer

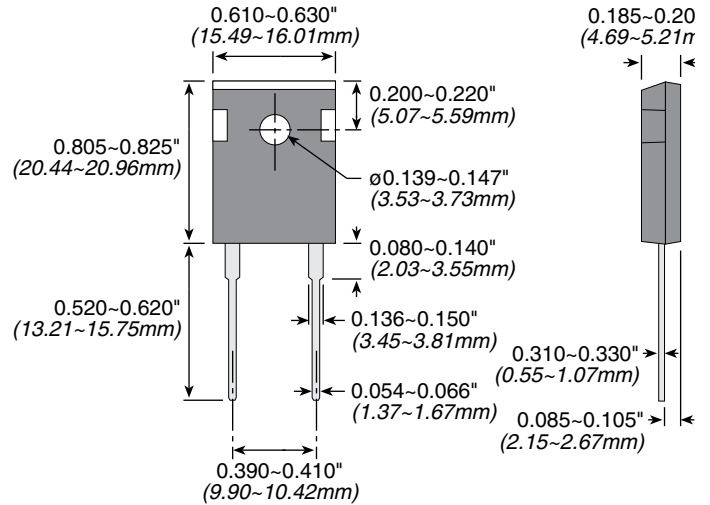
Electrical

Derating: linear, 100% at 25°C to 0% at 175°C
Resistance range: 0.05Ω to 1MΩ, other values on request
Resistance tol.: ±1%, ±2%, ±5%, ±10%
Max. working voltage: 350V
Temperature Coefficient: ±50ppm/°C for >10Ω, referenced to 25°C, ΔR taken at +105°C; others on request
Insulation Resistance: 10GΩ min.
Dielectric Strength: 1,800 VAC



TEH100 Series

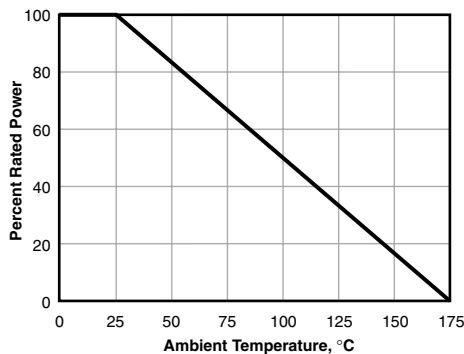
100 Watt Thick Film Power Resistors for High Frequency and Pulse Loading Applications



TEST DATA

Test	Conditions Of Test	Performance
Load life	MIL-R-39009D 4.8.13 , 2,000 hours at rated power	$\Delta R \leq \pm(1.0\% + 0.0005\Omega)$
Moisture resistance	-10°C - +65°C, RH>90%, cycle 240 h	$\Delta R \leq \pm(0.50\% + 0.0005\Omega)$
Short time overload	1.5 times rated power and V(DC) $\leq 1.5V_{max}$ for 5 seconds	$\Delta R \leq \pm(0.50\% + 0.0005\Omega)$
Thermal shock	GJB360A-96 method 107, Cond. F	$\Delta R \leq \pm(0.50\% + 0.0005\Omega)$
Dielectric strength	GJB360A-96 method 301, (1,800V AC, 60s)	$\Delta R \leq \pm(0.15\% + 0.0005\Omega)$
Terminal strength	GJB360A-96 method 211, Cond. A (Pull Test) 2.4N	$\Delta R \leq \pm(0.20\% + 0.0005\Omega)$
High frequency vibration	GJB360A-96 method 204, Cond. D	$\Delta R \leq \pm(0.40\% + 0.0005\Omega)$

DERATING



Derating (thermal resistance): 0.666W/°K (1.5K/W). Without a heatsink, when in free air at 25°C, the TEH100 is rated for 3.5W. Derating for temp. above 25°C is 0.0234W/°K.

Graphed value is only valid when using a thermal conduction to the heatsink $R_{thcs} < 0.025^\circ K/W$. This value can be reached by using thermal transfer compound with a heat conductivity of 1W/mK. The flatness of the cooling plate must be better than 0.05mm overall. The roughness of the surface should not exceed 6.4µm. The case temperature is to be used for the definition of the applied power limit. The case temperature measurement must be made with a thermocouple contacting the center of the component mounted on the designed heat sink. Thermal grease should be applied properly

ORDERING INFORMATION

Package Code	RoHS Compliant
M = two terminals	Non-compliant version unavailable

TEH100M10R0JE

Series	Ohms	Tolerance
	R = Decimal	F = 1%
	Example:	J = 5%
	2R50 = 2.50Ω	
	25R0 = 25Ω	
	100R = 100Ω	
	1K00 = 1000Ω	

Check product availability at www.ohmite.com

STANDARD PART NUMBERS FOR TEH SERIES

Ohms	5% tolerance	1% tolerance
0.05	TEH100MR050JE	
0.075	TEH100MR075JE	
0.1	TEH100MR100JE	
0.2	TEH100MR200JE	
0.5	TEH100MR500JE	
1	TEH100M1R00JE	TEH100M1R00FE
2	TEH100M2R00JE	TEH100M2R00FE
2.5	TEH100M2R50JE	TEH100M2R50FE
3	TEH100M3R00JE	TEH100M3R00FE
5	TEH100M5R00JE	TEH100M5R00FE
7.5	TEH100M7R50JE	TEH100M7R50FE
10	TEH100M10R0JE	TEH100M10R0FE
15	TEH100M15R0JE	TEH100M15R0FE
20	TEH100M20R0JE	TEH100M20R0FE
25	TEH100M25R0JE	TEH100M25R0FE
50	TEH100M50R0JE	TEH100M50R0FE
100	TEH100M100RJE	TEH100M100RFE
470	TEH100M470RJE	
750	TEH100M750RJE	
1K	TEH100M1K00JE	

Check product availability
using the Worldwide Inventory
Search at ohmite.com